



AK900





Dalang Communication Technology Co., Ltd Product Specification

Product Name:	Data Radio
Product Model:	AK900
Version Number:	V 1.0
Revision Date:	2025.05.15

Confidentiality Statement

This document and the information contained within are the property of **"Dalang Communication Technology Co., Ltd"**, and are for use only by authorized individuals for specific purposes. This document contains confidential information. Without explicit written permission from **"Dalang Communication Technology Co., Ltd"**, no person or group may copy, distribute, disseminate, display, or disclose this document or any part of it to a third party in any form. Recipients must strictly adhere to confidentiality obligations, protect the information in the document from being disclosed or misused, and ensure that all relevant personnel follow the same confidentiality rules. Individuals or organizations violating this statement will face legal prosecution and/or contractual penalties.

Thank you for your support and cooperation in protecting the confidential information of **"Dalang Communication Technology Co., Ltd"**.

Contents

1 Product Application Scenarios	1
Figure 1 Product Application Scenarios	1
2 Features	2
3 Structural Characteristic	3
Figure 2 Product structure diagram	3
Table 1 PIN foot function	3
4 Specifications	4
Table 1 Product Specifications	4
5 Product Photos	5
Figure 5 Product Images	5
6 Conventional Configuration Methods	6

Shenzhen Dalang Communication Technology Co., Ltd



1 Product Application Scenarios

AK900 is a 902-928 MHz data transmission radio, designed with P900 radio module and operating in the 902-928 MHz ISM frequency band. It uses frequency hopping spread spectrum (FHSS) technology and can be used in point-to-point or point to many networking according to actual needs. It adopts a 5-36V wide power input design and provides 3.3V TTL (optional RS232) external serial port. It can be widely used in industries such as unmanned aerial vehicles, unmanned ships, and robots. Refer to Figure 1 for details.



Figure 1 Product Application Scenarios

2 Features

In this chapter, we will delve into and comprehensively elaborate on the functionalities and operating principles of the AK900, detailing how it plays a pivotal role in various applications as follows:

1. Frequency band and technology: Operating in the 902-928 MHz ISM frequency band, utilizing frequency hopping spread spectrum (FHSS) technology.

2. Design and Power Supply: Based on the P900 radio module design, it has a 5-36V wide power input capability.

3. Interface and Networking: Provides 3.3V TTL interface, optional RS232 serial port, supports point-to-point or point to multi networking.

4. Application areas: Suitable for industries such as drones, unmanned ships, robots, etc.

3 Structural Characteristic

In this section, we will conduct an in-depth analysis of the product's design details, presenting its aesthetic features and precise interface specifications through detailed structural diagrams. This perspective aims to provide a comprehensive framework, thereby enhancing the understanding and perception of the product's architecture. Refer to Figure 2, Figure 3, Figure 4.

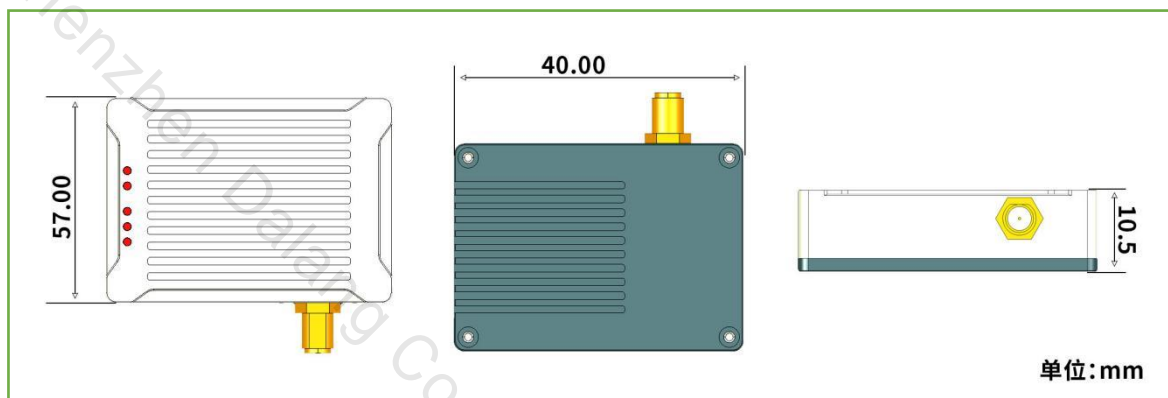


Figure 2 Product structure diagram

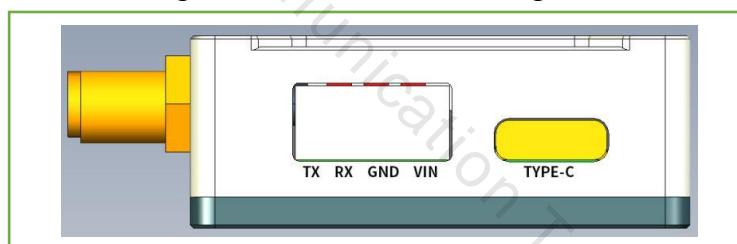


Table 1 PIN foot function

NO.	Interface Name	Function Introduction
1	VIN-	DC5.0~36V input
2	GND	grounding
3	RX	Radio serial port receiver (3.3V TTL) (optional RS232 interface)
4	TX	Radio serial port transmission (3.3V TTL) (optional RS232 interface)
TYPE-C interface		
1	TYPE-C	Radio configuration USB serial port

Status indication:

Green light	S1	Signal strength indicator 1
	S2	Signal strength indicator 2
	S3	Signal strength indicator 3
Blue light	RX	Radio reception indication
Red light	TX	Radio transmission indication

4 Specifications

In this section, we will provide a detailed list and explanation of the product's chip features, sensitivity, accuracy, operating principles, and other technical details, as detailed in Table 1.

Table 1 Product Specifications

Radio parameters	1	Frequency range	902~928MHz	
	2	transmission mode	frequency hopping	
	3	Error Detection	32-bit CRC, optional retransmission and forward error correction	
	4	Distance	60 kilometers (maximum)	
	5	sensitivity	Link Rate	10-6BER 10-3BER
			57.6 kbps	-111 dBm -114 dBm
			115.2 kbps	-110 dBm -113 dBm
			172 kbps	-108 dBm -111 dBm
230 kbps			-107 dBm -110 dBm	
276 kbps	-106 dBm -109 dBm			
6	Transmission power	100mW to 1W (20-30dBm)		
7	Link speed	Up to 276 kbps		
8	Serial Port Baud Rate	Up to 230.4 kbps		
Characteristic parameter	1	working voltage	DC5.0~36V	
	2	Working current	1~500mA/12V	
	3	operation temperature	-20°C~+70°C	
	4	storage temperature	-40°C~+85°C	
Structure parameters	1	size	57mm*40mm*10.5mm	
	2	weight	45g	
	3	connector	XH2.54mm 4PIN / TYPE-C	
	4	Housing material	aluminum alloy	

5 Product Photos

In this chapter, we will showcase real-life images of the product, as shown in Figure 5. These images provide a detailed view of our product from various angles and perspectives. We believe that through authentic representation, we can better convey the value and concept of the product, thereby enhancing your trust and satisfaction.

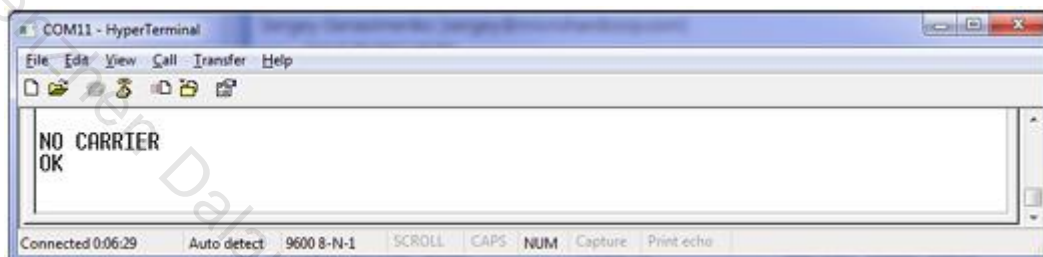


Figure 5 Product Images

6 Conventional Configuration Methods

There are two methods to enter the setup mode for P900:

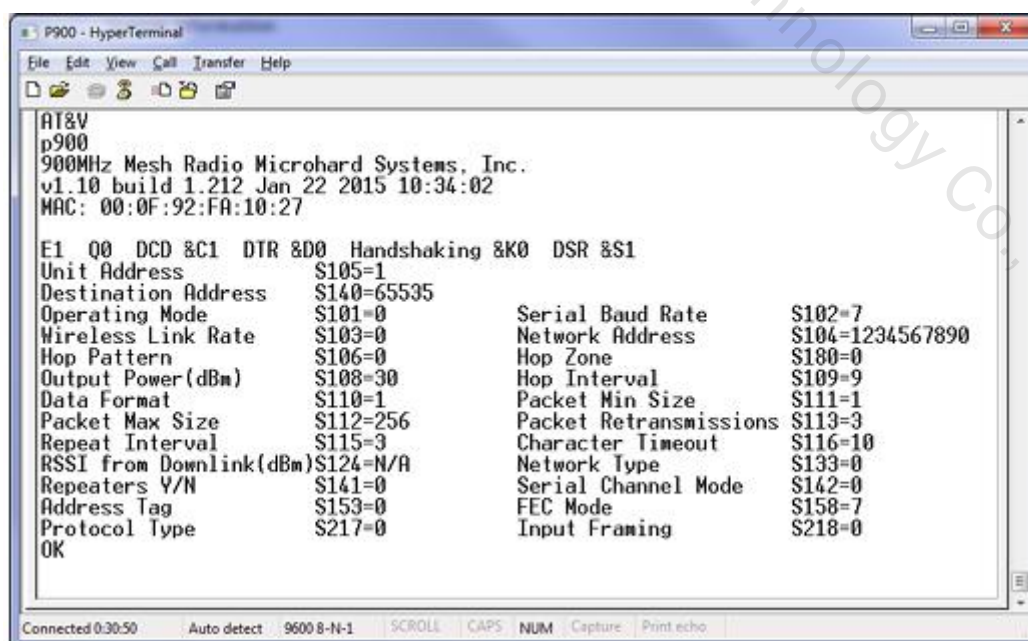
1. Open the serial port, configure the baud rate to 9600, press and hold the CONFIG button to power on, release the CONFIG button, and after powering on, the terminal session window should display "NO CARRIER OK", as shown below:



P900 is currently in command mode and can be configured or queried using AT commands. A T&V will display the current configuration and can use AT+XXX=? Command, where XXX= register number. Using AT+XXX/? Command.

After making any changes, send the AT+W command to save the modifications.

2. Pause for 1 second after power on, then enter "+++" (no carriage return or line break) on the serial port, pause for another 1 second, and the serial port responds with "NO CARRIER OK". The P900 is now in command mode and can be configured or queried using the AT command. As shown in the figure, enter the AT+V command to query the current configuration, as shown below: (The displayed data varies depending on the network and device type).



Exit from setup mode and enter data mode with input command: 'ATA (with carriage return and line break)'

Note: Use the first method to enter the setting mode with a baud rate of "9600", and use the second method to enter the baud rate as the original configuration baud rate. All commands except for the "+++" command do not have a carriage return line break, and all other commands need to add a carriage return line break. After configuration is complete, unplug the TYPE-C data cable, and the terminal serial port will automatically switch back to the working serial port.

P900 Configuration Commands

ATS101=0 - Master Station

ATS101=1 - Repeater

ATS101=2 - Slave Station

AT&F7 - Point-to-Multipoint Master

AT&F8 - Point-to-Multipoint Slave

AT&F9 - Point-to-Multipoint Repeater

AT&F10 - Point-to-Point Master

AT&F11 - Point-to-Point Slave

AT&F12 - Point-to-Point Repeater

Example: Configuring Host Mode

AT&F7 Point to Multipoint Master

```

P900 - HyperTerminal
File Edit View Call Transfer Help
AT&F7
OK
AT&W
OK
AT&V
p900
900MHz Mesh Radio Microhard Systems, Inc.
v1.10 build 1.212 Jan 22 2015 10:34:02
MAC: 00:0F:92:FA:10:27
E1 Q0 DCD &C1 DTR &D0 Handshaking &K0 DSR &S1
Unit Address          S105=1
Destination Address   S140=65535
Operating Mode        S101=0
Wireless Link Rate    S103=0
Hop Pattern           S106=0
Output Power(dBm)     S108=30
Data Format            S110=1
Packet Max Size       S112=256
Repeat Interval       S115=3
RSSI from Downlink(dBm) S124=N/A
Repeaters Y/N         S141=0
Address Tag           S153=0
Protocol Type         S217=0
Serial Baud Rate      S102=7
Network Address       S104=1234567890
Hop Zone              S180=0
Hop Interval          S109=9
Packet Min Size       S111=1
Packet Retransmissions S113=3
Character Timeout     S116=10
Network Type          S133=0
Serial Channel Mode   S142=0
FEC Mode              S158=7
Input Framing         S218=0
OK
Connected 1:10:58 Auto detect 9600 8-N-1 SCROLL CAPS NUM Capture Print echo
  
```

- A) AT&F7- Set the factory default values for point to multipoint master stations.
- B) AT&W - Save Configuration.
- C) AT&V - Query current configuration.
- D) Each unit in a point to multipoint network must have a unique unit address. Automatically set to 1, should not be changed.
- E) The default destination address for the 140-PMP network is 65535, which means that data is broadcasted from the master device to all other devices.
- F) The operation mode defines the device type and is set to 0, which is the main mode.
- G) The wireless link rate must be set to the same value for each unit in the system. Higher link rates may lead to higher throughput, but typically lower link rates provide better sensitivity and overall robustness.
- H) S133- For point to multipoint operations, the network type must be set to 0. The content displayed by AT&V commands will vary depending on the network type.
- I) The serial baud rate (and data format S110) must match the baud rate of the connected device.
- J) S10- Each unit in the network must have the same network address. This is a strong recommendation not to use the default setting 1234567890. To change the network address, you can use the AT S104=XXXXXXXX command.
- K) This register is used to inform the master device whether there is one or more repeaters in the system. This only applies to the primary radio equipment..

Whenever a register changes, AT&W must be used to save the configuration

After completing the setup, issue the ATA command to exit the setup and disconnect the TYP E-C configuration cable.

slave mode:

AT&F8 Point to Multipoint Slave

```

AT&F8
OK
AT&W
OK
AT&V
p900
900MHz Mesh Radio Microhard Systems, Inc.
v1.10 build 1.212 Jan 22 2015 10:34:02
MAC: 00:0F:92:FA:10:27

E1 Q0 DCD &C1 DTR &D0 Handshaking &K0 DSR &S1
Unit Address          S105=2
Destination Address   S140=1
Operating Mode        S101=2
Wireless Link Rate    S103=0
Hop Pattern           S106=0
Output Power(dBm)    S108=30
Data Format            S110=1
Packet Max Size       S112=256
Repeat Interval       S115=3
Roaming               S118=1
Network Type          S133=0
Sleep mode            S143=0
FEC Mode              S158=7
Input Framing         S218=0
Serial Baud Rate      S102=7
Network Address       S104=1234567890
Hop Zone              S180=0
Hop Interval          S109=9
Packet Min Size       S111=1
Packet Retransmissions S113=3
Character Timeout     S116=10
RSSI from Uplink(dBm) S123=N/A
Serial Channel Mode   S142=0
Address Tag           S153=0
Protocol Type         S217=0
Sync timeout          S248=512
OK

```

- A) AT&F8- Factory default values for setting point to multipoint slave devices.
- B) AT&W - Save Configuration.
- C) AT&V - Query Configuration.
- D) In point to multipoint networks, each unit must have a unique unit address. The address of the remote station will be automatically set to 2. If multiple slave stations are added, this address needs to be modified for each added unit.
- E) The destination address is the final destination to which all data will be sent. In a point to multipoint network, the address is set to 1, which is the unit address of the main station and should not be changed.
- F) The operation mode defines the device type and is set to 2, which is the slave (remote).
- G) The wireless link rate of each device in the S10 system must be set to the same value.
- H) S133- For point to multipoint operations, the network type must be set to 0.
- I) The serial baud rate (and data format S110) of 102 must match the baud rate of the connected device.
- J) S10- Each unit in the network must have the same network address. To change the network address, you can use the AT S104=XXXXXXX command.
- K) Normally, this register is set to the main device's frequency hopping mode (106), or if the device is to communicate through a relay, it is set to match the auxiliary frequency hopping mode (S206).
- L) S118- If the slave station is connected through a relay, please enter the unit address of the relay here. Or set it to 65535 for roaming.

Relay Mode:

AT&F9 Point to Multipoint Repeater

```

P900 - HyperTerminal
File Edit View Call Transfer Help
AT&F9 A
OK
AT&W B
OK

AT&V C
p900
900MHz Mesh Radio Microhard Systems, Inc.
v1.10 build 1.212 Jan 22 2015 10:34:02
MAC: 00:0F:92:FA:10:27

E1 00 DCD &C1 DTR &D0 Handshaking &K0 DSR &S1
Unit Address D S105=3
Destination Address E S140=1
Operating Mode F S101=1 Serial Baud Rate I S102=7
Wireless Link Rate G S103=0 Network Address J S104=1234567890
Hop Pattern K S106=0 Secondary Hop Pattern L S206=1
Hop Zone S180=0 Secondary Zone S181=0
Output Power(dBm) S108=30 Hop Interval S109=9
Data Format S110=1 Packet Min Size S111=1
Packet Max Size S112=256 Packet Retransmissions S113=3
Repeat Interval S115=3 Character Timeout S116=10
Roaming S118=1 RSSI from Uplink(dBm) S123=N/A
RSSI from Downlink(dBm) S124=N/A Network Type H S133=0
Serial Channel Mode S142=0 Address Tag S153=0
FEC Mode S158=7 Protocol Type S217=0
Input Framing S218=0 Sync timeout S248=512
OK

```

- A) AT&F9- Set the factory default values for point to multipoint repeater devices.
- B) AT&W - Save Configuration.
- C) AT&V - Query Configuration.
- D) In point to multipoint networks, each unit must have a unique unit address. The address of the repeater will be automatically set to 3.
- E) The destination address is the final destination to which all data needs to be sent. In a point to multipoint network, the address is set to 1, which is the unit address of the main station and should not be changed.
- F) The S101-T operating mode defines the unit type, set to 1, which is the repeater.
- G) The wireless link rate must be set to the same value for each unit in the system.
- H) S133- For point to multipoint operations, the network type must be set to 0.
- I) The serial baud rate (and data format S110) of 102 must match the baud rate of the connected device.
- J) S10- Each unit in the network must have the same network address. To change the network address, you can use the AT S104=XXXXXXXX command.

K) S106- Normally, it should be set as the main device's frequency hopping mode (106), or if the device is to communicate through another relay, it should be set to match the device's auxiliary frequency hopping mode (S206).

L) S206- This is a secondary jump mode used for communication with downstream units.

The point-to-point mode configuration and point to multi mode of AT&F10/AT&F11/AT&F12 are basically the same.

Shenzhen Dalang Communication Technology Co., Ltd